

FLATBACK ELBOW

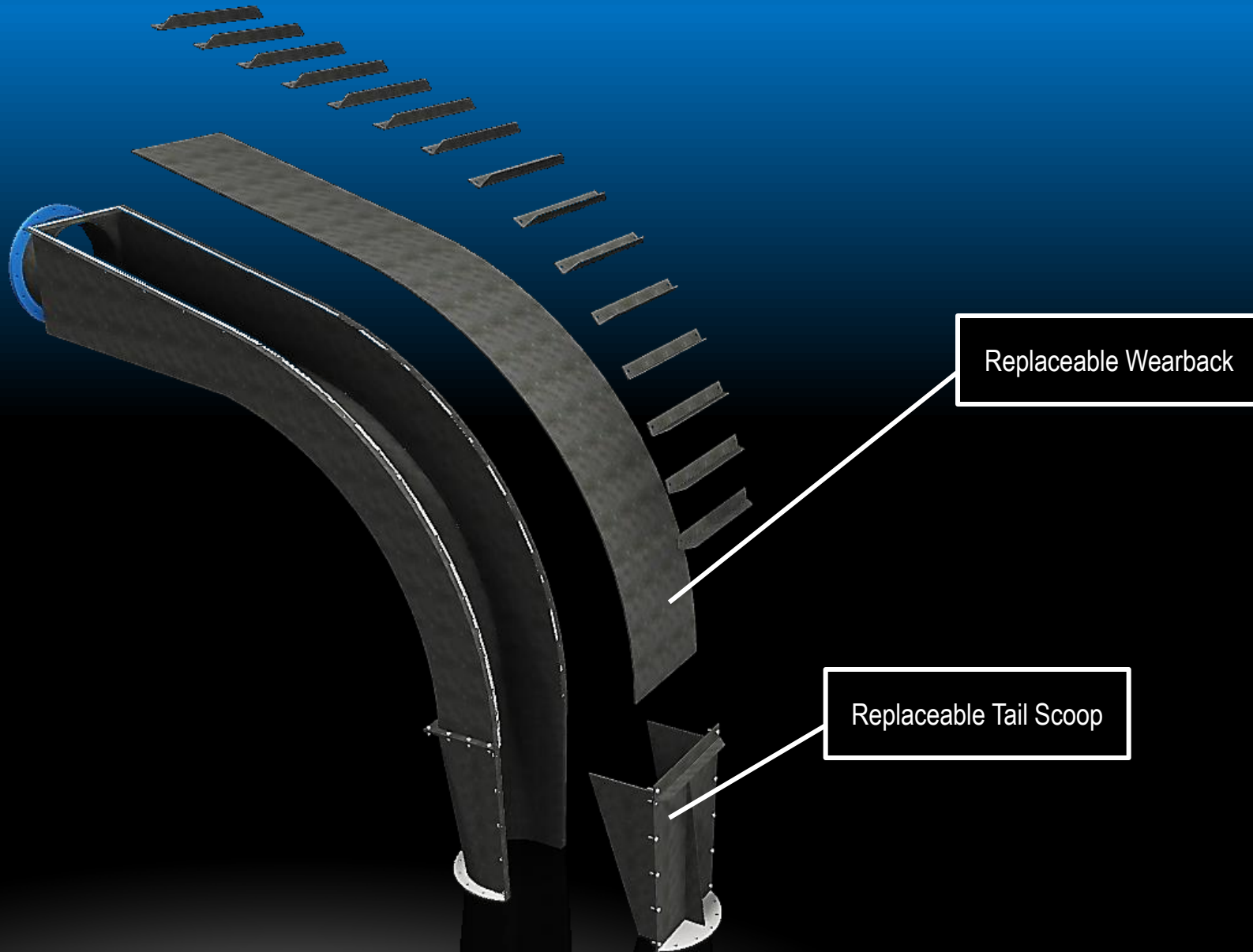


Available from
4" to 20" pipe
sizes



WESTERN PNEUMATICS, INC.
Design • Fabrication • Installation
110 North Seneca Road
PO Box 21340
Eugene, OR 97402
Phone: 541-461-2600

REPLACEABLE WEAR SURFACES

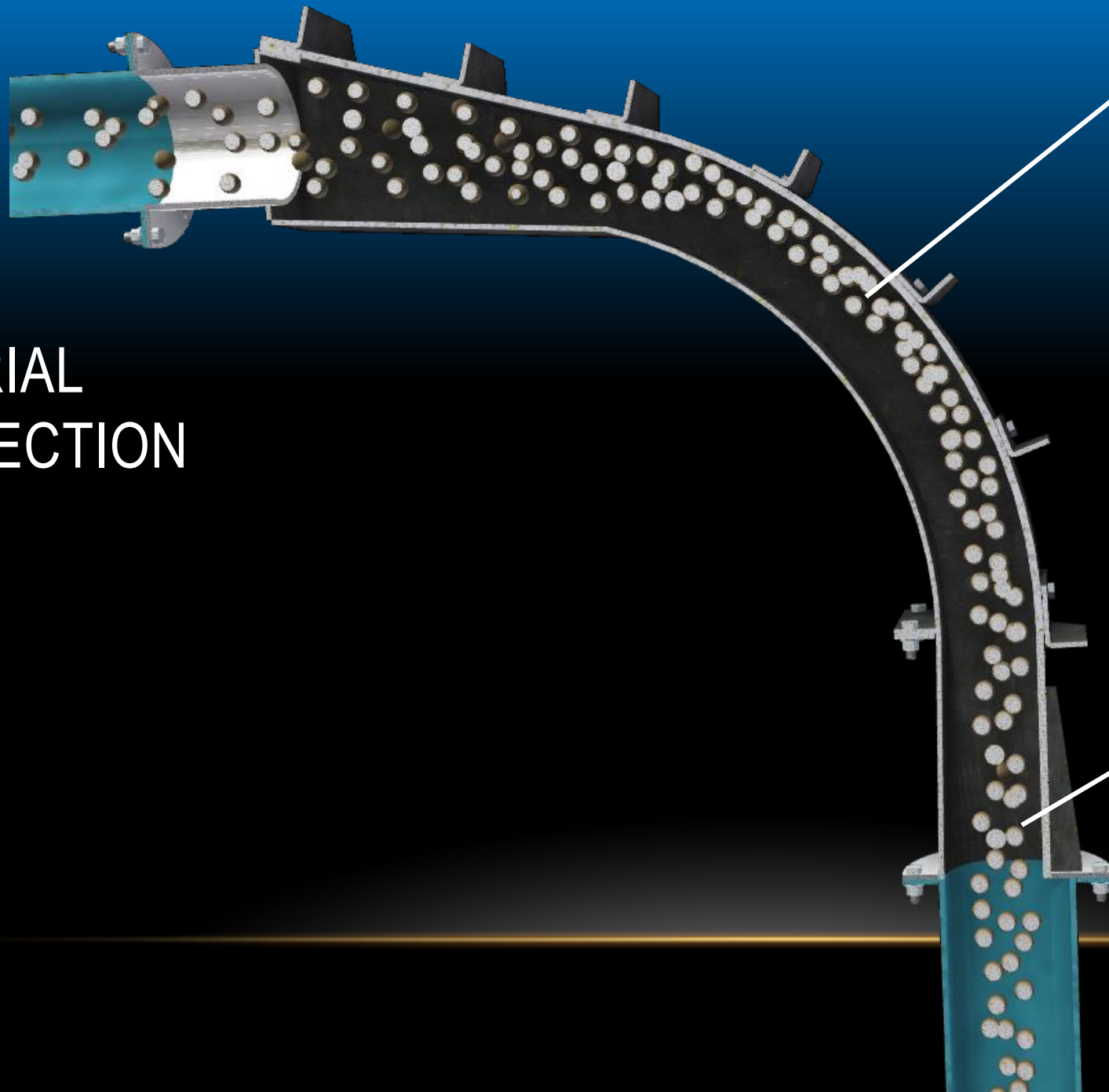


Replaceable Wearback

Replaceable Tail Scoop



WESTERN PNEUMATICS, INC.
Design • Fabrication • Installation
110 North Seneca Road
PO Box 21340
Eugene, OR 97402
Phone: 541-461-2600



Material redirected on
Wearback

MATERIAL REDIRECTION

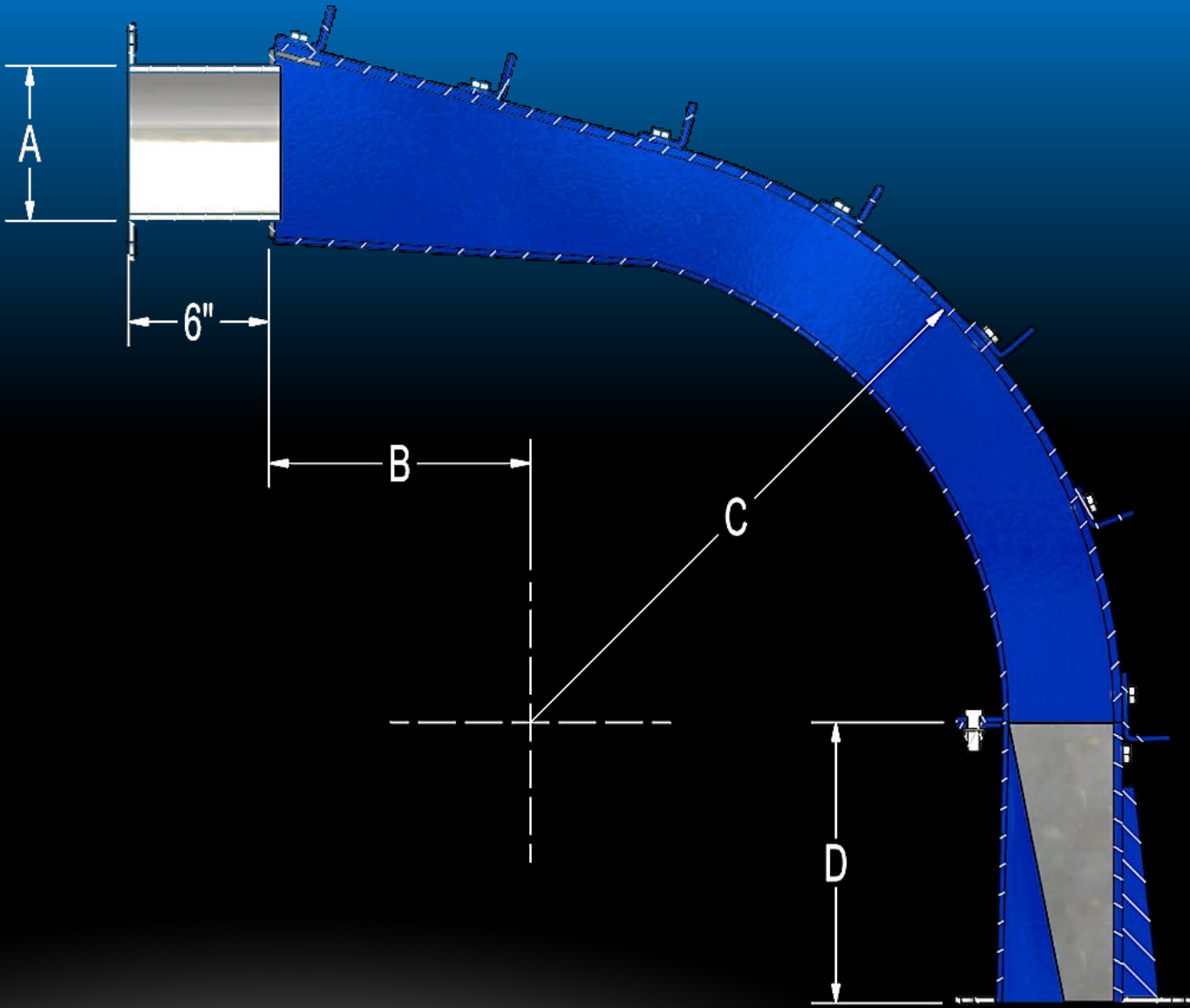
Material re-centered in
pipe



WESTERN PNEUMATICS, INC.
Design • Fabrication • Installation
110 North Seneca Road
PO Box 21340
Eugene, OR 97402
Phone: 541-461-2600

SPECIFICATIONS

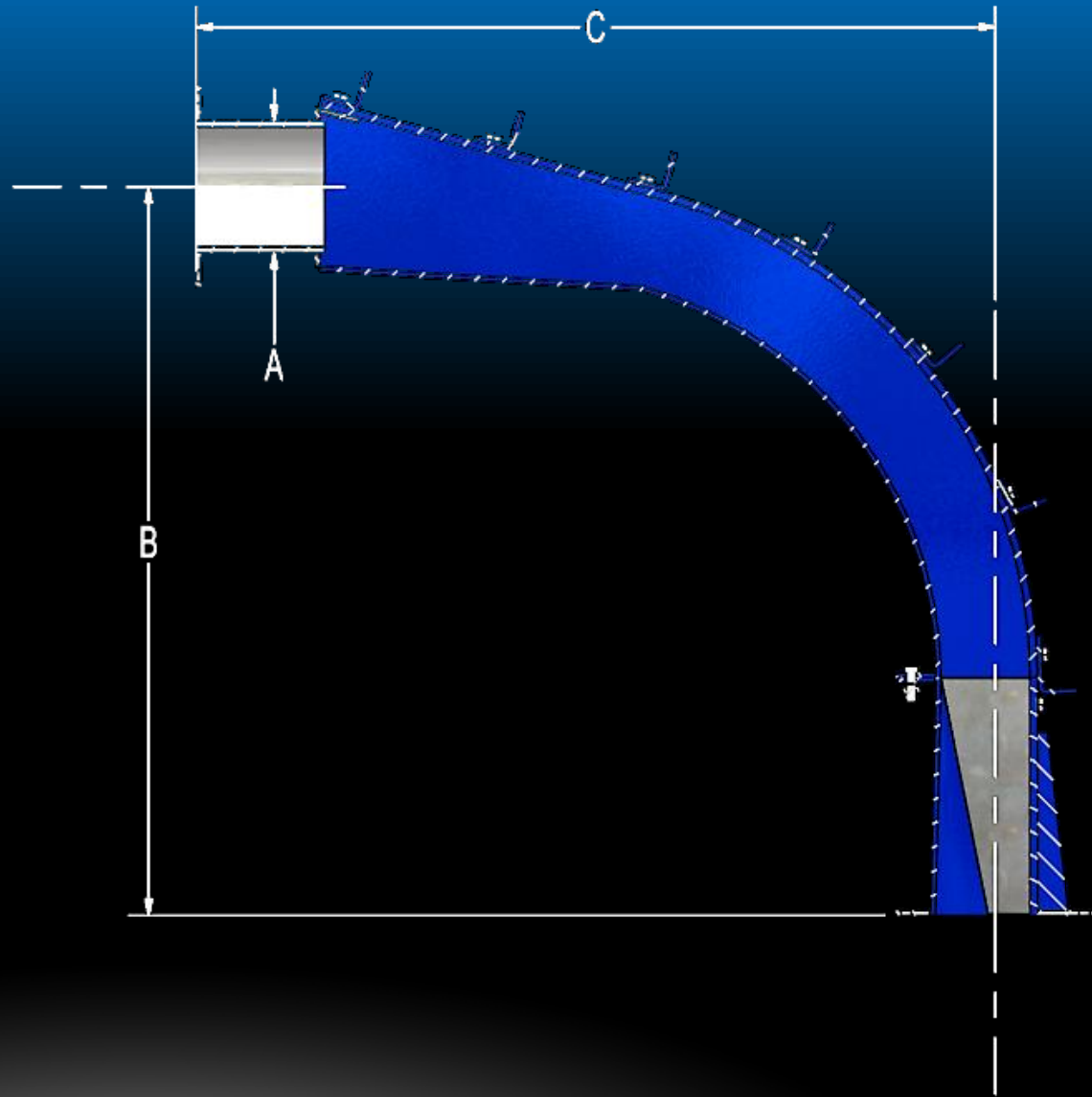
| Nominal Pipe Size | A - Pipe Outside Diameter | B | C | D |
|-------------------|---------------------------|------|------|------|
| | [in] | [in] | [in] | [in] |
| 4 | | | 16 | 8 |
| 5 | | | 21 | 10 |
| 6 | | | 25 | 12 |
| 6 | | | 25 | 12 |
| 8 | | | 33 | 16 |
| 10 | | | 42 | 20 |
| 10 | | | 42 | 20 |
| 12 | | | 50 | 24 |
| 12 | | | 50 | 24 |
| 14 | | | 58 | 28 |
| 16 | | | 66 | 32 |
| 18 | | | 72 | 34 |
| 20 | | | 78 | 36 |



WESTERN PNEUMATICS, INC.
 Design • Fabrication • Installation
 110 North Seneca Road
 PO Box 21340
 Eugene, OR 97402
 Phone: 541-461-2600

SPECIFICATIONS

| Nominal Pipe Size | A - Pipe Outside Diameter | B | C |
|----------------------|---------------------------------|-----------|-----------|
| | [in] | [in] | [in] |
| 4 | 4 ½ | 5 9/16 | 29 1/16 |
| 5 | 5 9/16 | 30 11/16 | 35 5/16 |
| 6 | 6 5/8 | 36 3/4 | 40 3/8 |
| 8 | 8 5/8 | 49 1/16 | 51 3/8 |
| 10 | 10 3/4 | 62 3/8 | 62 7/8 |
| 12 | 12 3/4 | 74 11/16 | 73 7/8 |
| 14 | 14 | 86 3/8 | 85 1/8 |
| 16 | 16 | 98 3/16 | 94 3/16 |
| 18 | 18 | 106 | 101 |
| 20 | 20 | 113 13/16 | 113 13/16 |



WESTERN PNEUMATICS, INC.
 Design • Fabrication • Installation
 110 North Seneca Road
 PO Box 21340
 Eugene, OR 97402
 Phone: 541-461-2600

ABOUT WPI

- Western Pneumatics was founded in 1982 with our focus on high and low pressure pneumatic conveying and aspiration systems.
- Diversification has been a constant as we offer materials handling systems for wood products, environmental, biomass, agricultural and minerals.
- The headquarters in Eugene, Oregon, include the fabrication facilities with CNC machine centers, laser cutting machine, sandblasting and painting .
- An additional fabrication facility is located in Ruston, Louisiana.
- WPI typically offers turnkey systems including design, fabrication and installation.

WPI Corporate Headquarters

110 N Seneca Road
PO Box 21340
Eugene, Oregon 97402

T. 541.461.2600
F. 541.461.2606

WPI-South

2601 McDonald Ave
Ruston, LA 71270

T. 318.232.1307
F. 318.232.7720



WESTERN PNEUMATICS, INC.
Design • Fabrication • Installation
110 North Seneca Road
PO Box 21340
Eugene, OR 97402
Phone: 541-461-2600